

Manufactured in the USA

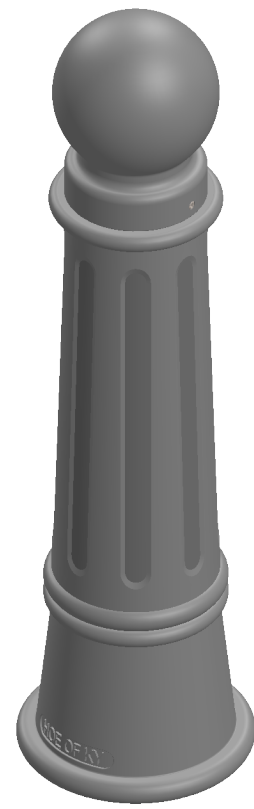
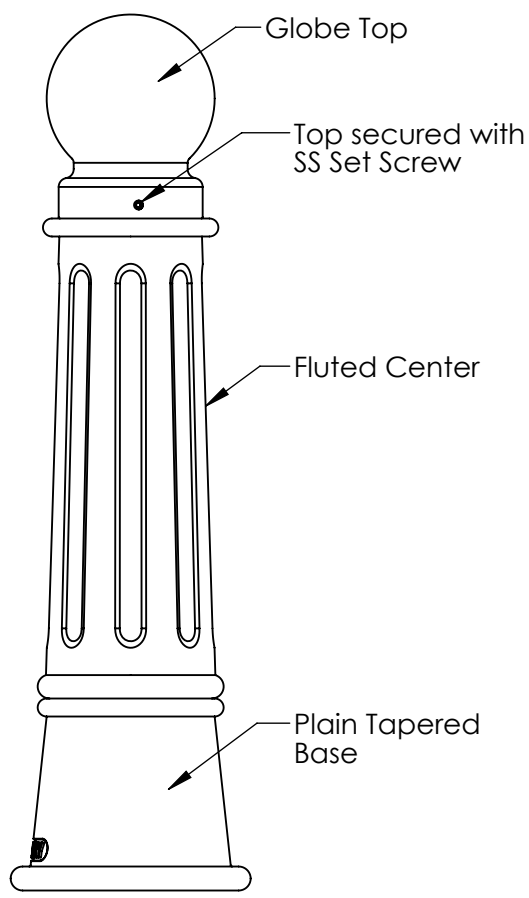
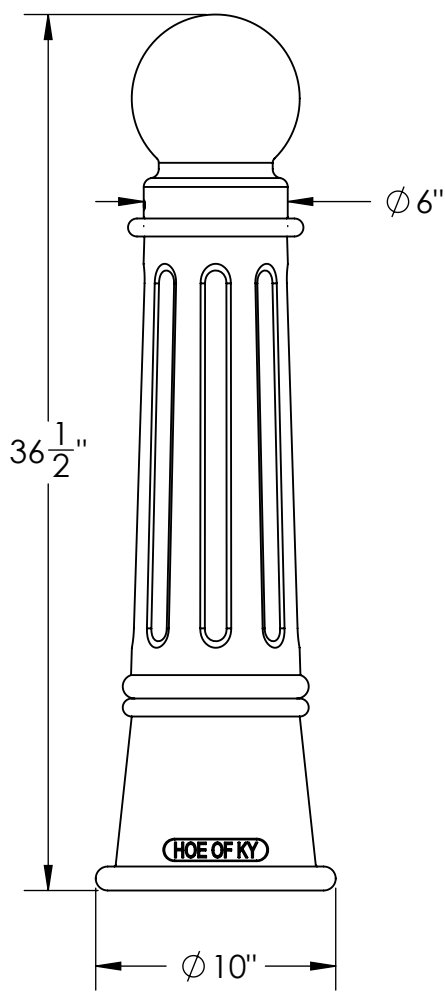
**MATERIAL:**  
ASTM A48 CLASS 30 Cast Iron

**WEIGHT:**  
118.35 lbs (Bollard Only)

**FINISH:**  
All J.R. Hoe cast iron bollards are finished with a high performance Super Durable powder coating to be applied using a multi-stage pretreatment, application, and curing system. Color to be specified from available options.

**MOUNTING OPTIONS:**  
(See Mounting Options Detail Sheet for drawings and parts lists)

- Option A - 1" All-Thread set in Existing Concrete with Anchoring Epoxy
- Option B - 1" All-Thread set in Imbedded Iron Base > *Removable*
- Option C - 1" All-Thread Threaded into Capped 4" Schedule 40 Pipe > *Traffic-Rated*



**J.R. HOE AND SONS**  
North Nineteenth Street  
Middlesboro, KY 40965  
Ph: (606)248-5560  
F: (606) 248-6308  
www.jrhoe.com

|  |          |              |
|--|----------|--------------|
| TITLE: 150-Series Bollard<br>Globe Top, Tapered Base<br>Fluted |          |              |
| SIZE   | DWG. NO. | REVISION     |
| <b>A</b>   | 150-GTF  | <b>A</b>     |
|  |          | SHEET 1 OF 1 |

PROPRIETARY AND CONFIDENTIAL - THE INFORMATION CONTAINED IN THIS DRAWING IS THE SOLE PROPERTY OF J.R. HOE & SONS INC. ANY REPRODUCTION IN PART OR AS A WHOLE WITHOUT THE WRITTEN PERMISSION OF J.R. HOE & SONS INC. IS PROHIBITED.